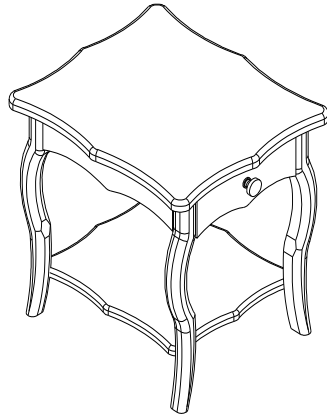


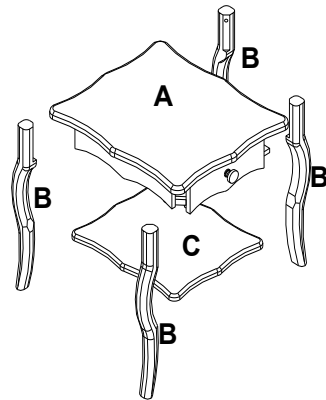
# Chairside End Table/End Table



Thank you for purchasing our Chairside End Table/End Table. We have found it helpful to have a second person present in at least one step of the assembly.

## Rectangle/Chairside End Table Assembly Instructions

Lay out all parts on a "non-abrasive" surface to avoid scratching furniture.



NO.	DRAWING	DESCRIPTION	QTY.
A		TOP	1
B		POST	4
C		BOTTOM SHELF	1

NO.	DRAWING	DESCRIPTION	QTY.
D		M6*45mm BOLT	4
E		M6*20mm BOLT	4
F		HEX WRENCH	1

### PARTS

### Step 1

Read through these instructions thoroughly before beginning assembly. We have found this to be of great value when first assembling this product.

### Step 2

Remove all parts and hardware from packing material. Wooden pieces should be placed on a non-abrasive surface (like the carton or carpet) to prevent damage to the finish.

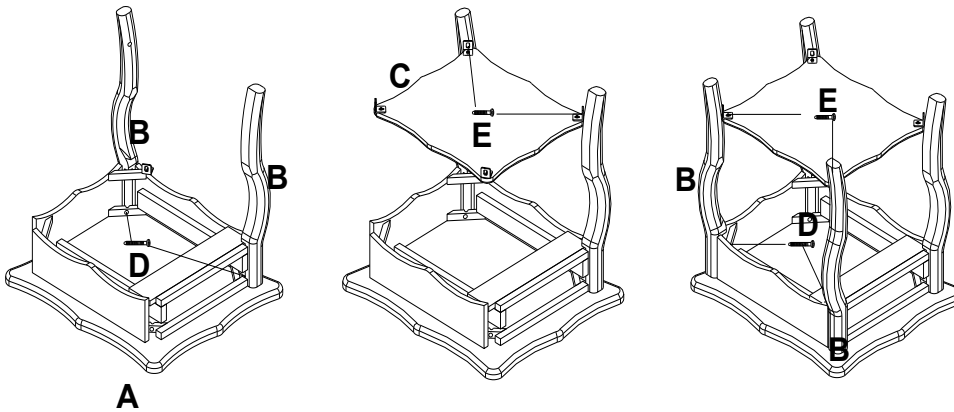
### Step 3, 4 and 5

Remove drawer from Top Unit (A). Lay Top Unit upside down and attach 2 Posts (B) by using 2 M6 x 45 Hex Bolts (D).

**Note: It will help to have a second person at this time to assist in assembly.**

Put shelf (C) into slots in Legs (B) and attach to Legs (B) using 2 M6 x 20 Hex Bolts (E).

Attach Legs (B) to Top Unit (A) using 2 M6 x 45 Hex Bolts (D) and Shelf (C) using 2 M6 x 20 Hex Bolts (E).

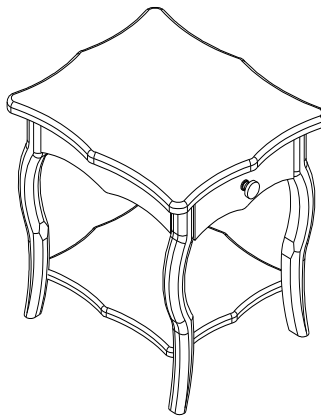


---

### Step 6

Place End Table right-side up.

Please drawer assembly back inside table.



---

### CARE

Clean with mild soap and wipe dry.

---

### REPLACEMENT PARTS:

For best service, to order replacement parts go to [www.alaterrefurniture.com](http://www.alaterrefurniture.com). Use the order form on the web site to order your replacement parts. **Thank You!**